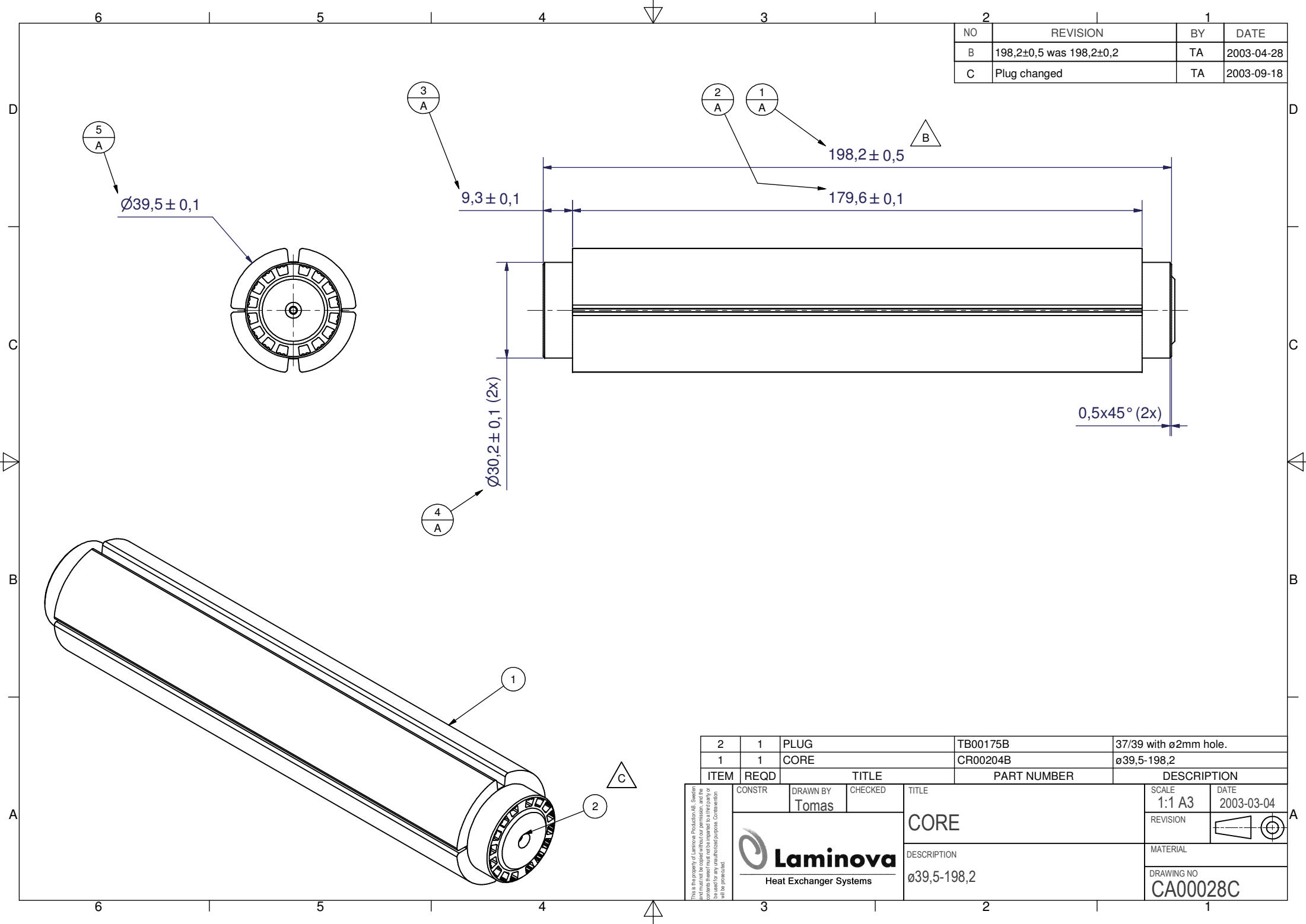


NO	REVISION	BY	DATE
B	198,2±0,5 was 198,2±0,2	TA	2003-04-28
C	Plug changed	TA	2003-09-18



2	1	PLUG	TB00175B	37/39 with ø2mm hole.
1	1	CORE	CR00204B	ø39,5-198,2
ITEM	REQD	TITLE	PART NUMBER	DESCRIPTION
CONSTR		DRAWN BY Tomas	CHECKED	TITLE CORE
				SCALE 1:1 A3 REVISION DATE 2003-03-04 MATERIAL DRAWING NO CA00028C
		DESCRIPTION ø39,5-198,2		