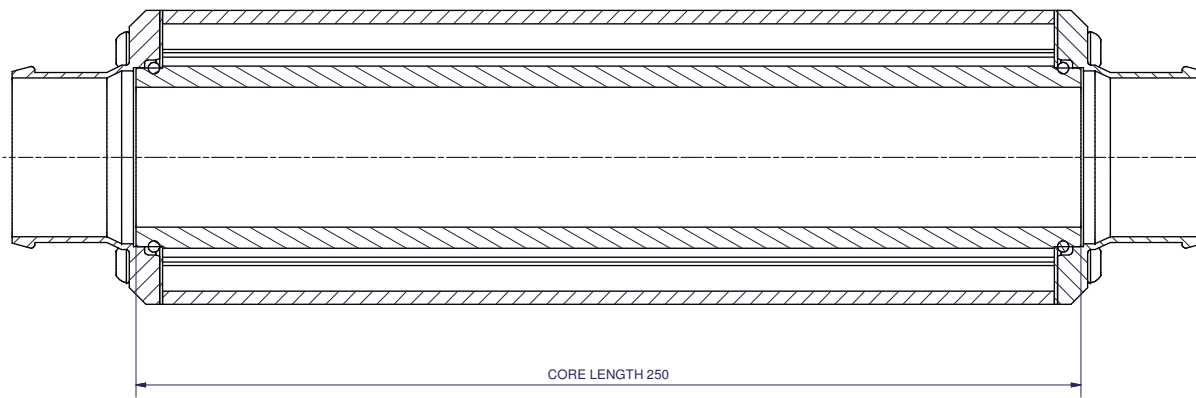
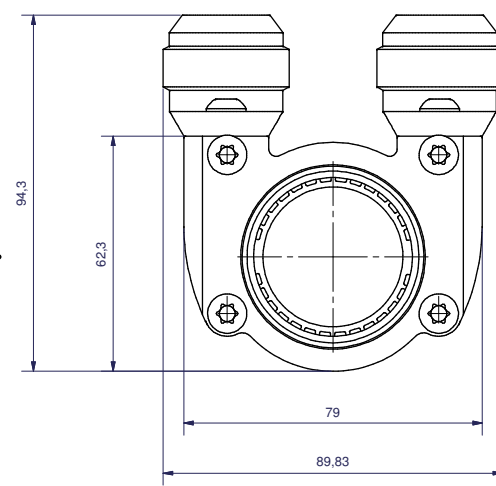
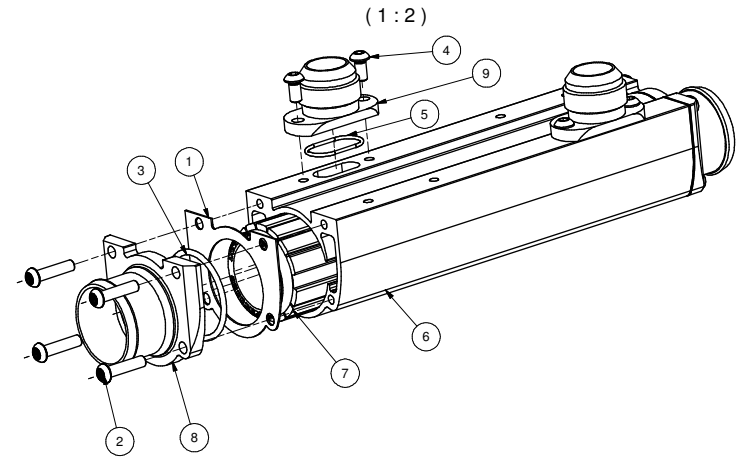


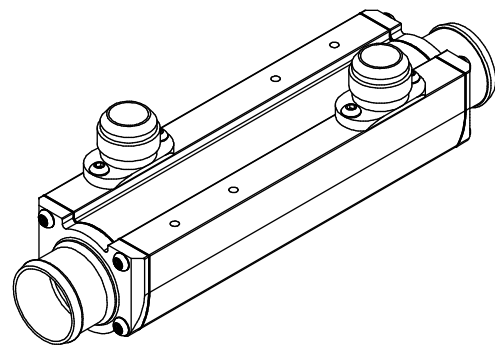
A-A



(1:2)



(1:2)



ITEM	REQD	TITLE	PART NUMBER	DESCRIPTION
9	2	OIL CONNECTION	OC00055C	EC54 JIC 16
8	2	WATER CONNECTION	WC00134C	EC54 ø45
7	1	CORE	CR00247A	ø54-250
6	1	HOUSING	HS00188A	EC54-236
5	2	O-RING	SL00083A	ø26,7x1,78 FPM
4	4	SCREW	TB00135A	BN 6404 KTS M6x12
3	2	O-RING	SL00084A	44,2x3 HNBR
2	8	SCREW	TB00134A	BN 6404 KTS M6x25
1	2	GASKET	SL00081C	EC54

<small>This is the property of Laminova®/Produtões B. Siqueira. All rights reserved. No part of this document may be reproduced, stored in a retrieval system, or transmitted in any form or by any means, electronic, mechanical, photocopying, recording, or by any information storage and retrieval system, without the prior written permission of Laminova®/Produtões B. Siqueira.</small>	CONSTR	DRAWN BY	CHECKED	TITLE	SCALE	DATE
		mattias		OIL COOLER	1:1	2006-08-22
					DESCRIPTION	MATERIAL
					EC54-250	DRAWING NO SA00327A