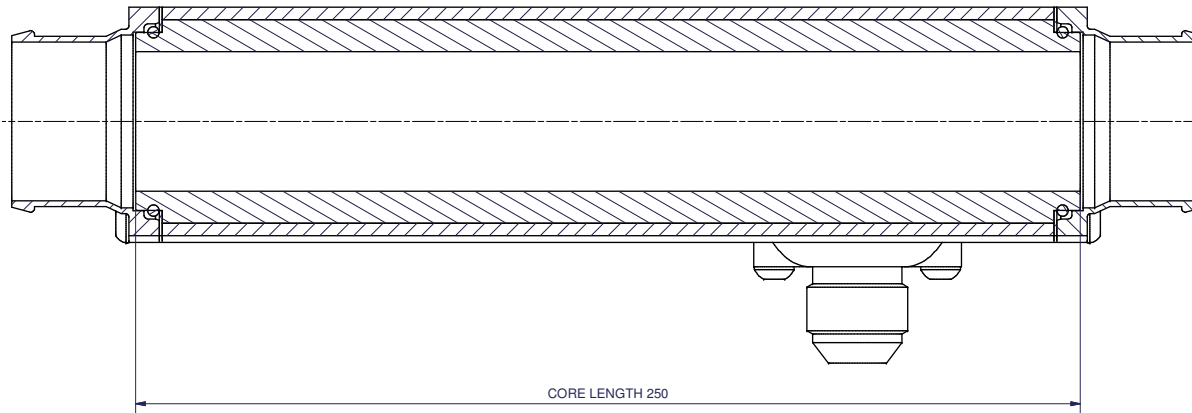


A-A



9	2	WATER CONNECTION	WC00134C	EC54 ø45
8	2	OIL CONNECTION	OC00060B	EC 54 JIC 12
7	1	CORE	CR00247A	ø54-250
6	1	HOUSING	HS00188A	EC54-236
5	2	O-RING	SL00083A	ø26,7x1,78 FPM
4	4	SCREW	TB00135A	BN 6404 KTS M6x12
3	2	O-RING	SL00084A	44,2x3 HNBR
2	8	SCREW	TB00134A	BN 6404 KTS M6x25
1	2	GASKET	SL00081C	EC54

ITEM	REQD	TITLE	PART NUMBER	DESCRIPTION
CONSTR		DRAWN BY	CHECKED	TITLE
		mattias		OIL COOLER
DESCRIPTION				SCALE
EC54-250				1:1
DATE				2006-02-02
REVISION				
MATERIAL				
DRAWING NO				SA00374A

This is the property of Laminova Production AB. Reproduction or distribution of this drawing without the written permission of Laminova Production AB is prohibited.

