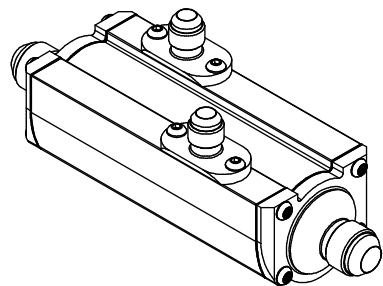
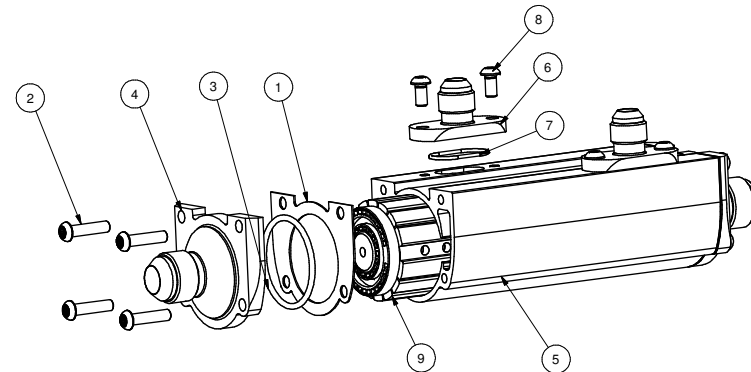
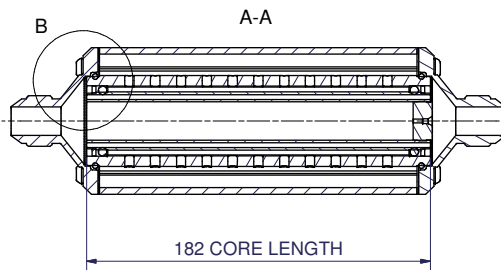
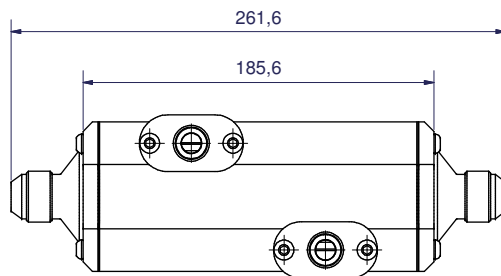
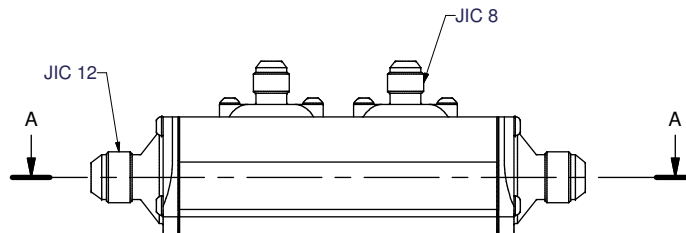
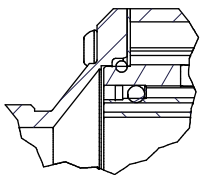


B (1:1)



ITEM	REQ	TITLE	PART NUMBER	DESCRIPTION
9	1	CORE ASSEMBLY	CA00044A	CD54-182P tight inner
8	4	SCREW	TB00267A	ISO 7380 KTS 8.8 FZB M6x12
7	2	O-RING	SL00083A	ø26,7x1,78 FPM
6	2	OIL CONNECTION	OC00078A	EC54 JIC 8
5	1	HOUSING	HS00157A	EC54-168
4	2	WATER CONNECTION	WC00182A	EC54 JIC12
3	2	O-RING	SL00084A	44,2x3 HNBR
2	8	SCREW	TB00266A	ISO 7380 KTS 8.8 FZB M6x25
1	2	GASKET	SL00081C	EC54

CONSTR	DRAWN BY	CHECKED	TITLE	SCALE	DATE
	Mattias		OIL COOLER	1:2 A2	2007-02-20
DESCRIPTION				REVISION	
ECD54-182 TIGHT FINNED INNER CORE				MATERIAL	
				DRAWING NO	
				SA00401A	

This is the property of Laminova Production AB. Reproduction, distribution, or use of this drawing without the written permission of Laminova Production AB is prohibited.