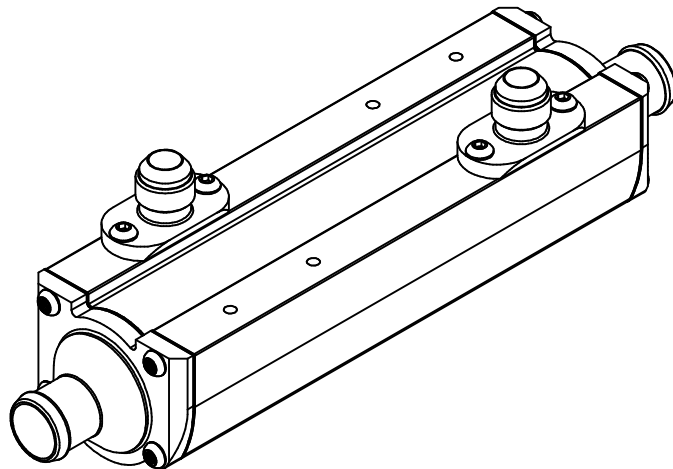
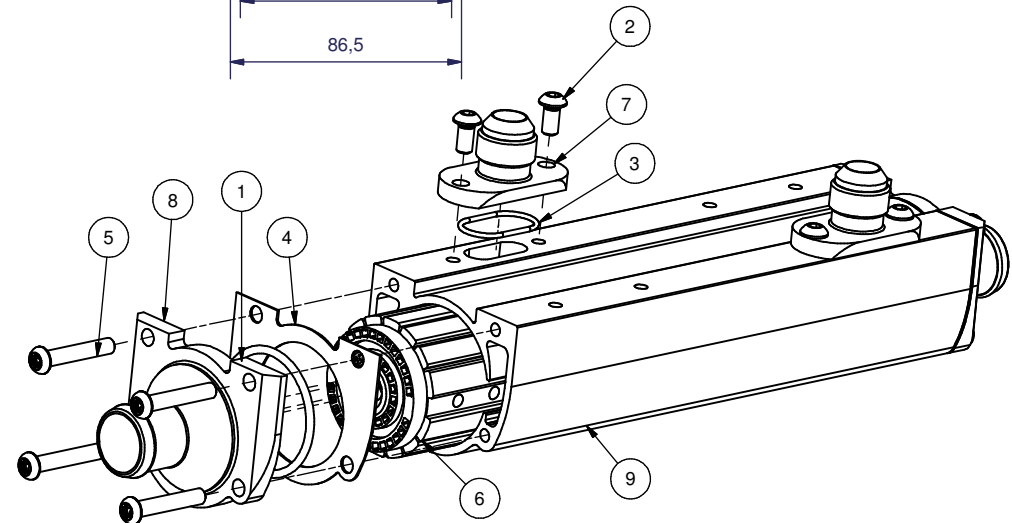
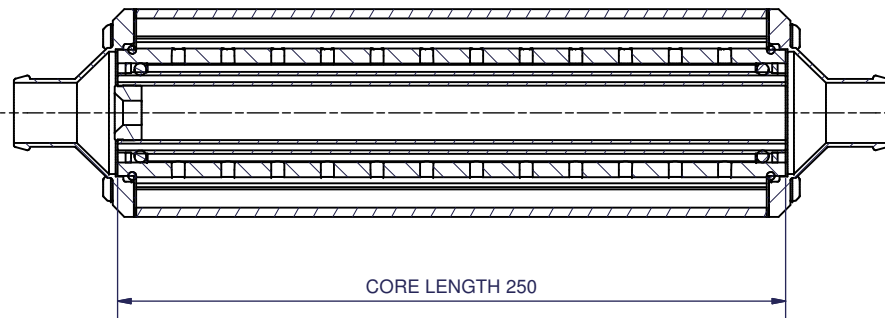

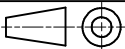


A-A



9	1	HOUSING	HS00188A	EC54-236
8	2	WATER CONNECTION	WC00180A	EC54 $\varnothing 25,4 (1'')$
7	2	OIL CONNECTION	OC00070A	EC 54 JIC 10
6	1	CORE ASSEMBLY	CA00084A	D54-250, STANDARD INNER, PLUGG 9 mm
5	8	SCREW	TB00266A	ISO 7380 KTS 8.8 FZB M6x25
4	2	GASKET	SL00081C	EC54
3	2	O-RING	SL00083A	$\varnothing 26,7 \times 1,78$ FPM
2	4	SCREW	TB00267A	ISO 7380 KTS 8.8 FZB M6x12
1	2	O-RING	SL00084A	44,2x3 HNBR
ITEM	REQD	TITLE	PART NUMBER	DESCRIPTION

This is the property of Laminova Production AB. Swedens and must not be copied without our permission, and the contents thereof must not be imparted to a third party or used in any way for advertising or promotional purposes. Copyright will be protected.	CONSTR	DRAWN BY MA	CHECKED	APPROVED	TITLE OIL COOLER	SCALE 1:2	DATE 2008-02-18	
	 LAMINOVA <small>OPCON Group</small>					DESCRIPTION ECD 54-250, STANDARD INNER	REVISION	
						MATERIAL	DRAWING NO SA00424	
							