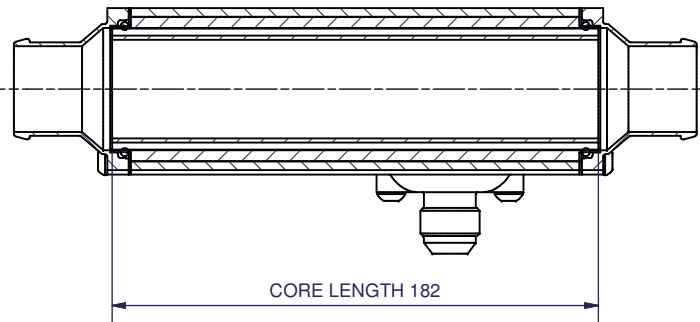
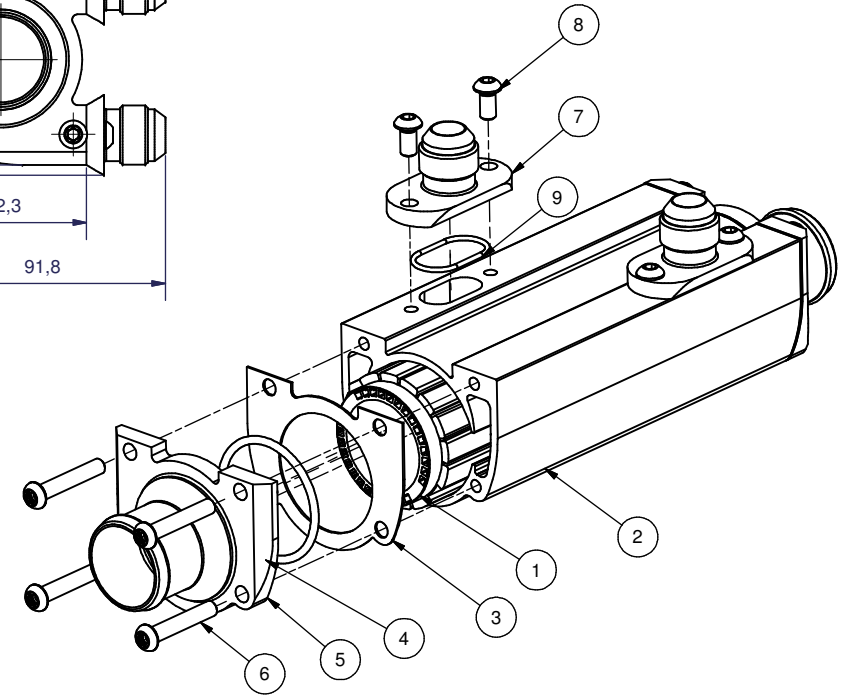
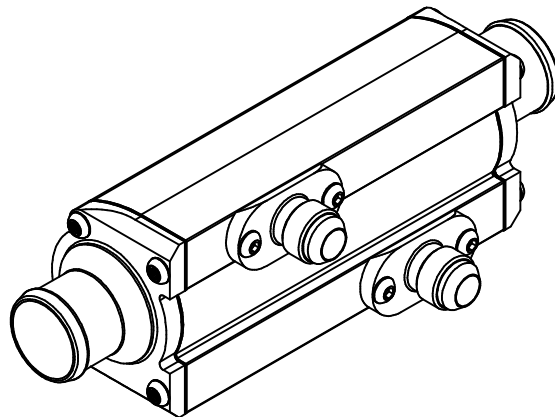



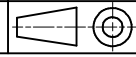
A-A



CORE LENGTH 182



| ITEM | REQD | TITLE | PART NUMBER | DESCRIPTION |
|------|------|------------------|-------------|----------------------------|
| 9 | 2 | O-RING | SL00083A | ø26,7x1,78 FPM |
| 8 | 4 | SCREW | TB00267A | ISO 7380 KTS 8.8 FZB M6x12 |
| 7 | 2 | OIL CONNECTION | OC00070A | EC 54 JIC 10 |
| 6 | 8 | SCREW | TB00266A | ISO 7380 KTS 8.8 FZB M6x25 |
| 5 | 2 | WATER CONNECTION | WC00177A | EC54 ø35 |
| 4 | 2 | O-RING | SL00084A | 44,2x3 HNBR |
| 3 | 2 | GASKET | SL00081C | EC54 |
| 2 | 1 | HOUSING | HS00157A | EC54-168 |
| 1 | 1 | CORE | CR00251A | ø54-182 |

| | | | | | | | | |
|--|---|----------|---------|----------|-------------------|-------------|---|--|
| This is the property of Laminova Production AB. Swedens and must not be copied without our permission, and the contents thereof must not be imparted to a third party or in any way disclosed for any other purpose. Concession will be granted. | CONSTR | DRAWN BY | CHECKED | APPROVED | TITLE | SCALE | DATE | |
| | | MA | | | OIL COOLER | 1:2 | 2008-03-04 | |
| |  | | | | | DESCRIPTION |  | |
| | | | | | | EC54-182 | | |
| | | | | | | MATERIAL | | |
| | | | | | | DRAWING NO | SA00425 | |