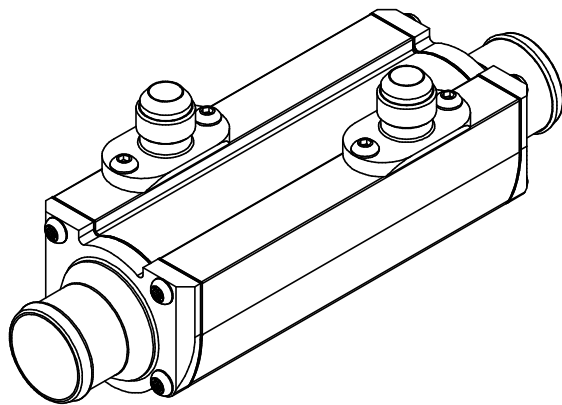
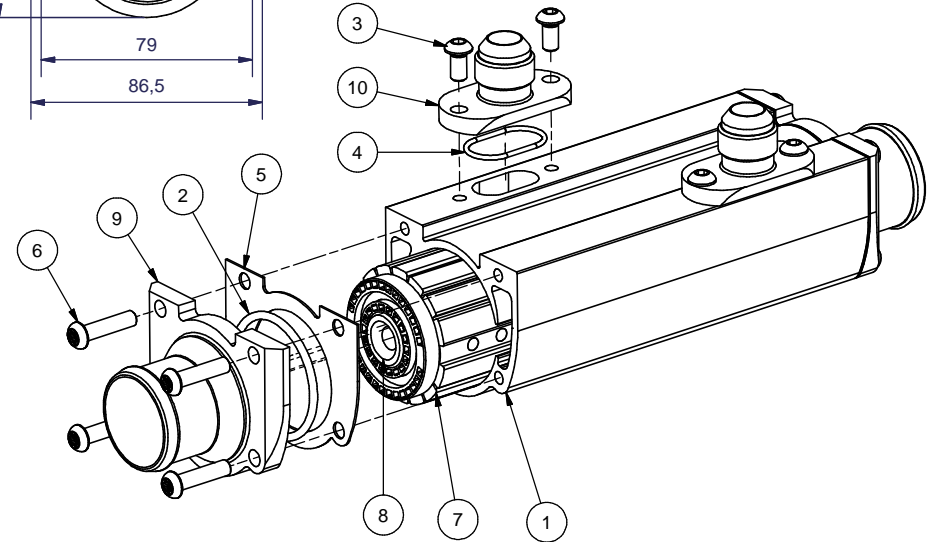
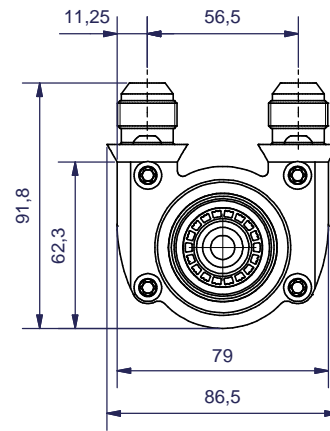
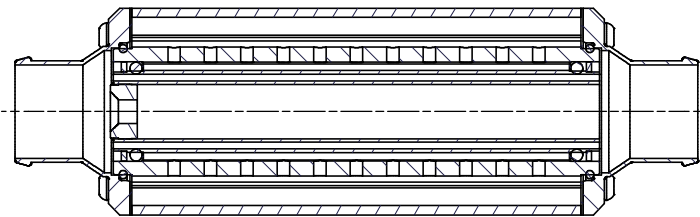


A-A (1/2)



ITEM	REQ	TITLE	PART NUMBER	DESCRIPTION
10	2	OIL CONNECTION	OC00070A	EC 54 JIC 10
9	2	WATER CONNECTION	WC00179A	EC54 ø38
8	1	PLUG	TB00207	37/39, ø9mm hole
7	1	CORE ASSEMBLY	CA00064A	D54-182, STANDARD INNER
6	8	SCREW	TB00134A	BN 6404 KTS M6x25
5	2	GASKET	SL00081C	EC54
4	2	O-RING	SL00083A	ø26,7x1,78 FPM
3	4	SCREW	TB00135A	BN 6404 KTS M6x12
2	2	O-RING	SL00084A	44,2x3 HNBR
1	1	HOUSING	HS00157A	EC54-168

This is the property of Laminova Production AB. Sweden contains thereof must not be reported to third party or be used for any unauthorized purpose. Consequence will be prosecuted.	CONSTR	DRAWN BY	CHECKED	TITLE	SCALE	DATE	
		UL		OIL COOLER	1:2	2009-03-18	
	LAMINOVA <small>OPICON Group</small>				DESCRIPTION	REVISION	
					ECD 54-182, STANDARD INNER	MATERIAL	
					DRAWING NO		
					SA00441A		