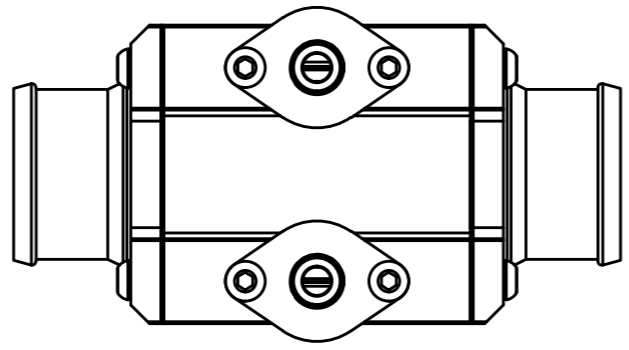
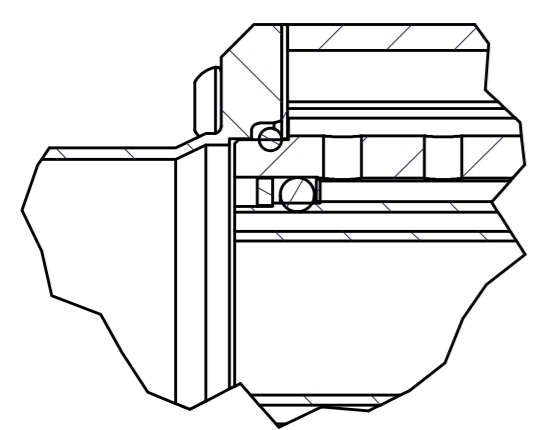
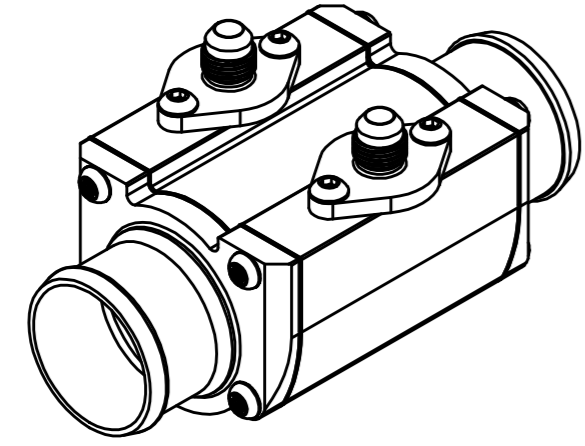
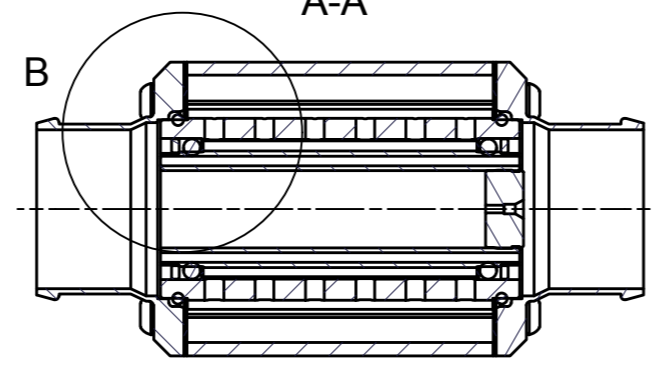


B (1:1)



A-A



ITEM	REQ	TITLE	PART NUMBER	DESCRIPTION
9	1	CORE	CA00090A	D54-95
8	2	WATER CONNECTION	WC00134C	EC54 Ø45
7	2	O-RING	SL00039A	18,77x1,78 FPM
6	2	OIL CONNECTION	OC00025B	JIC 6
5	1	HOUSING	HS00174A	EC54-81
4	2	O-RING	SL00084A	44,2x3 HNBR
3	4	SCREW	TB00267A	ISO 7380 KTS 8.8 FZB M6x12
2	8	SCREW	TB00266A	ISO 7380 KTS 8.8 FZB M6x25
1	2	GASKET	SL00081C	EC54

<small>This is the property of Laminova Production AB. Swedens          drawings and technical data are not to be reproduced,          copied, stored in a retrieval system or transmitted in any form or by any means,          electronic, mechanical, photocopying, recording, or by any information storage and retrieval system,          without the prior written permission of Laminova Production AB.</small>	CONSTR	DRAWN BY	CHECKED	TITLE	SCALE	DATE
	Ulf	Ulf	RH	OIL COOLER ECD54-95P	1:2	2010-03-31
					REVISION	
DESCRIPTION				A		
OC JIC-6, WC-Ø45					DRAWING NO	
					SA00461A	