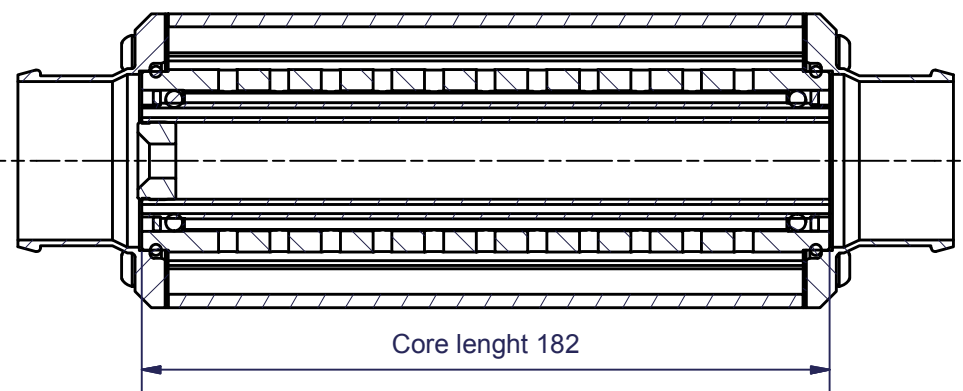
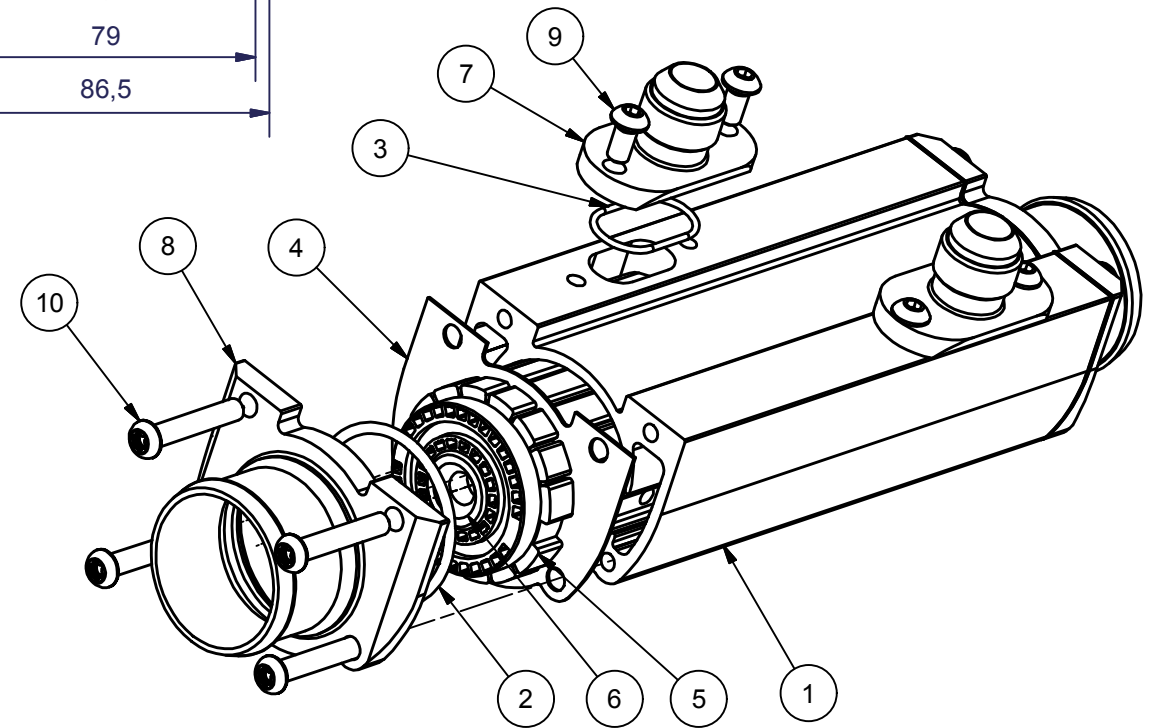
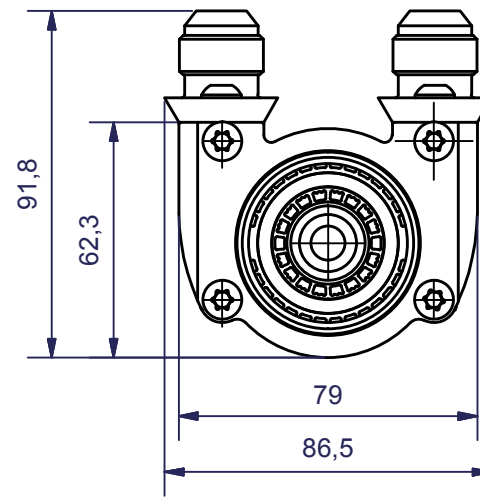
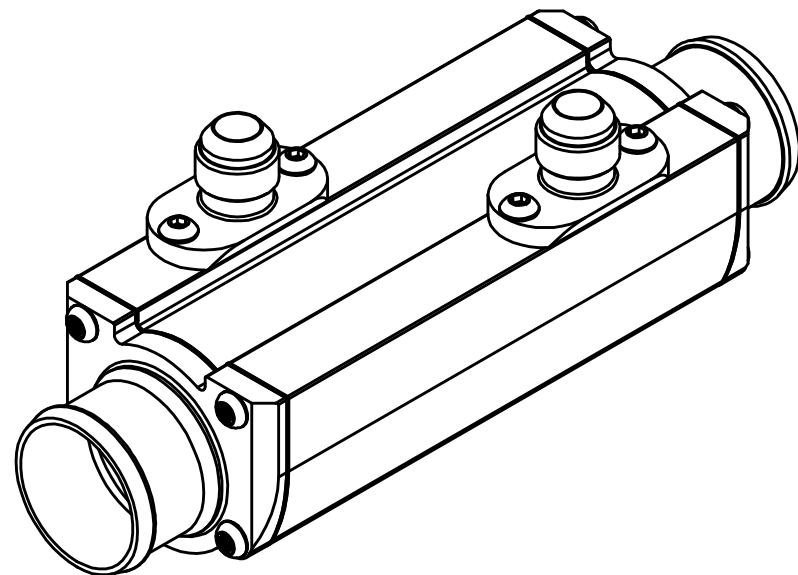



A-A



Core lenght 182



10	8	SCREW	TB00266A	ISO 7380 KTS 8.8 FZB M6x25
9	4	SCREW	TB00267A	ISO 7380 KTS 8.8 FZB M6x12
8	2	WATER CONNECTION	WC00134C	EC54 Ø45
7	2	OIL CONNECTION	OC00070A	EC 54 JIC 10
6	1	PLUG	TB00207	37/39, Ø9mm hole
5	1	CORE ASSEMBLY	CA00064A	D54-182, STANDARD INNER
4	2	GASKET	SL00081C	EC54
3	2	O-RING	SL00083A	Ø26,7x1,78 FPM
2	2	O-RING	SL00084A	44,2x3 HNBR
1	1	HOUSING	HS00157A	EC54-168
ITEM	REQD	TITLE	PART NUMBER	DESCRIPTION

This is the property of Laminova Production AB, Sweden and must not be copied without our permission, and the contents thereof must not be imparted to a third party or be used for any unauthorized purpose. Contravention will be prosecuted.	CONSTR	DRAWN BY	CHECKED	TITLE	SCALE	DATE
	Uif	Uif	RH		OIL COOLER	1:2
						DESCRIPTION
ECD 54-182P, OC-JIC10, WC-Ø45					A	MATERIAL
					DRAWING NO	
					SA00462A	