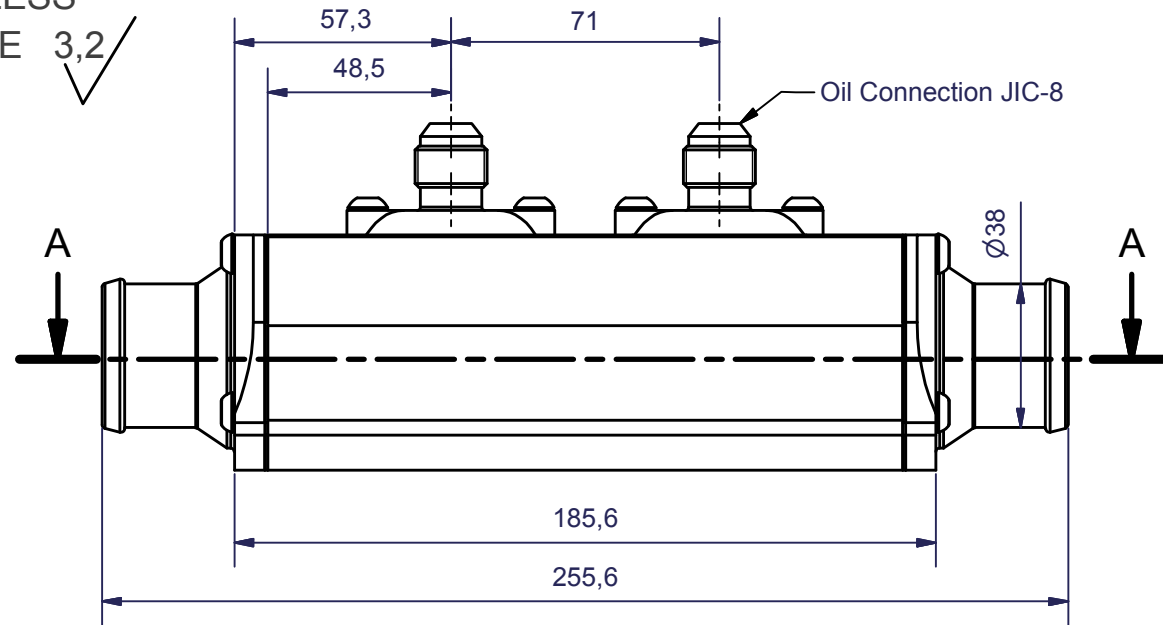
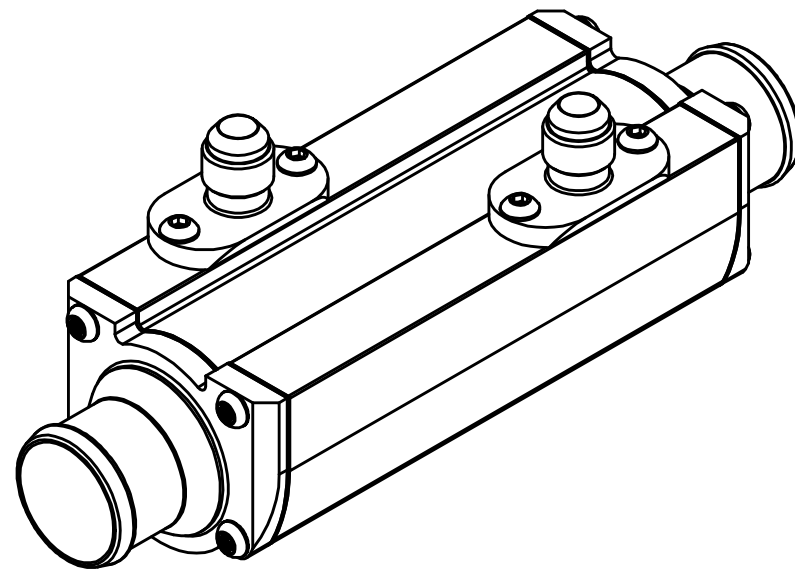
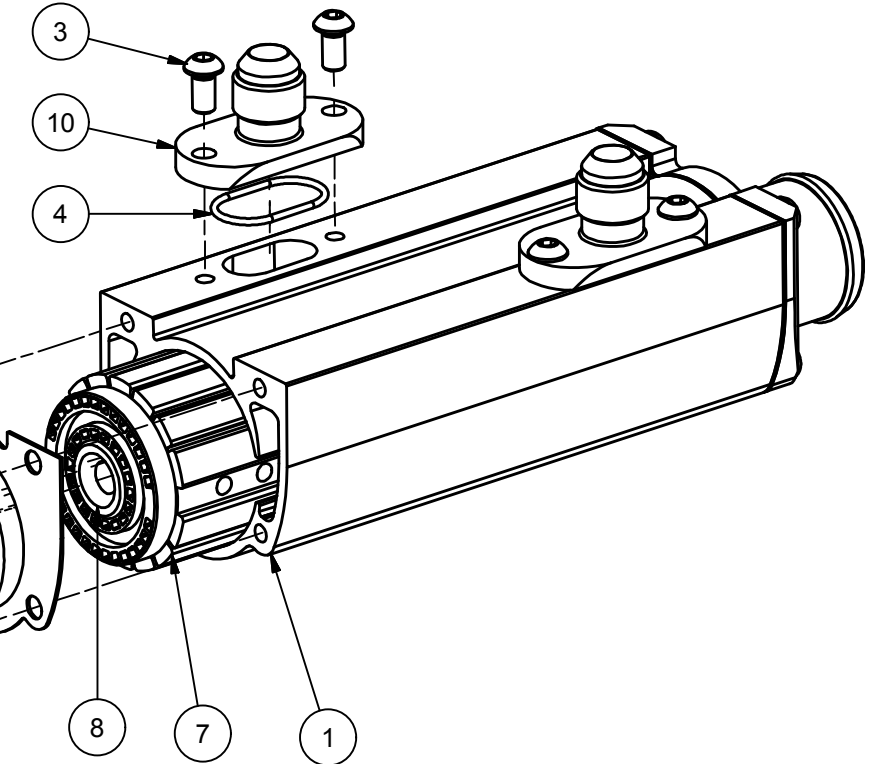
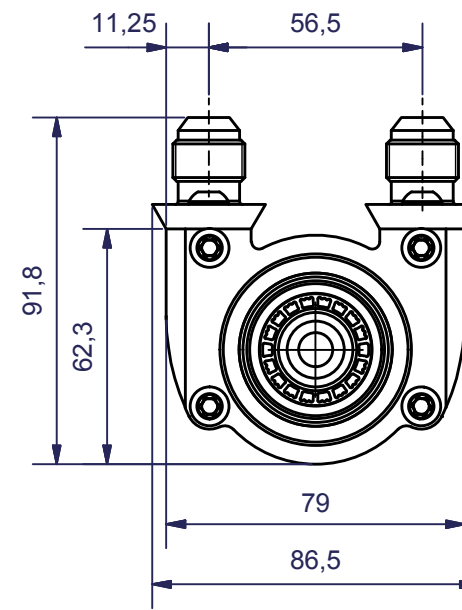


SURFACE UNLESS SPECIFIED ARE 3,2


TOLERANCE UNLESS SPECIFIED ARE ISO 2768-mK



A-A (1/2)



10	2	OIL CONNECTION	OC00078A	EC54 JIC 8
9	2	WATER CONNECTION	WC00179A	EC54 \varnothing 38
8	1	PLUG	TB00207	37/39, \varnothing 9mm hole
7	1	CORE ASSEMBLY	CA00064A	D54-182, STANDARD INNER
6	8	SCREW	TB00266A	ISO 7380 KTS 8.8 FZB M6x25
5	2	GASKET	SL00081C	EC54
4	2	O-RING	SL00083A	\varnothing 26,7x1,78 FPM
3	4	SCREW	TB00267A	ISO 7380 KTS 8.8 FZB M6x12
2	2	O-RING	SL00084A	44,2x3 HNBR
1	1	HOUSING	HS00157A	EC54-168
ITEM	REQ	TITLE	PART NUMBER	DESCRIPTION

This is the property of Laminova Production AB, Sweden and must not be copied without our permission, and the contents thereof must not be imparted to a third party or be used for any unauthorized purpose. Contravention will be prosecuted.	CONSTR	DRAWN BY	CHECKED	TITLE	SCALE	DATE
	MA	UL	RH		OIL COOLER	1:2
					DESCRIPTION	REVISION
ECD 54-182, OC JIC8, WC \varnothing 38						A
					MATERIAL	DRAWING NO SA00467A