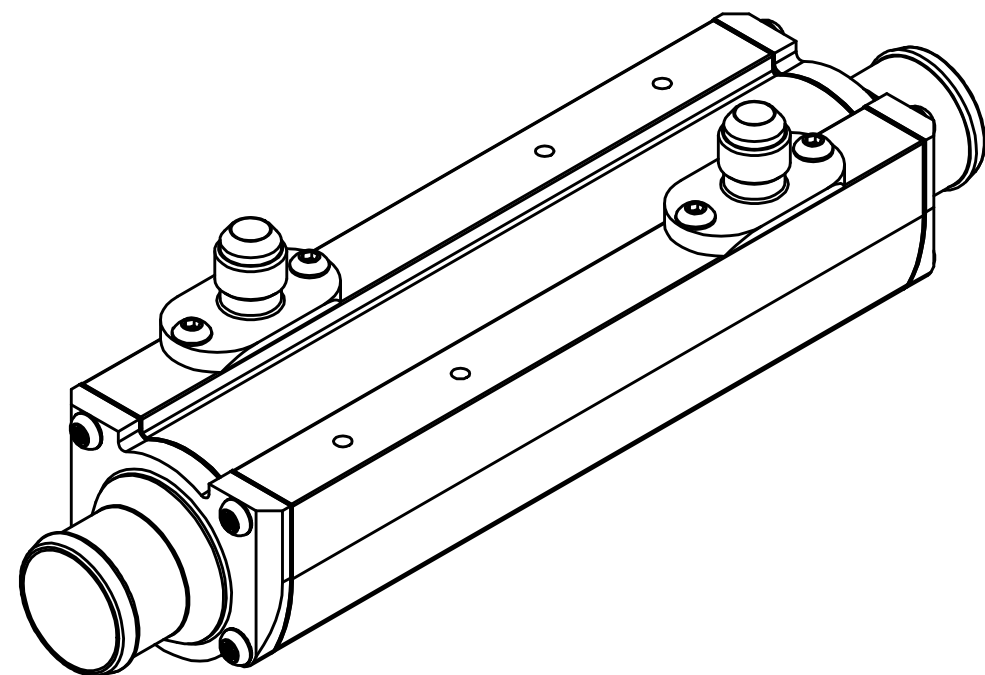
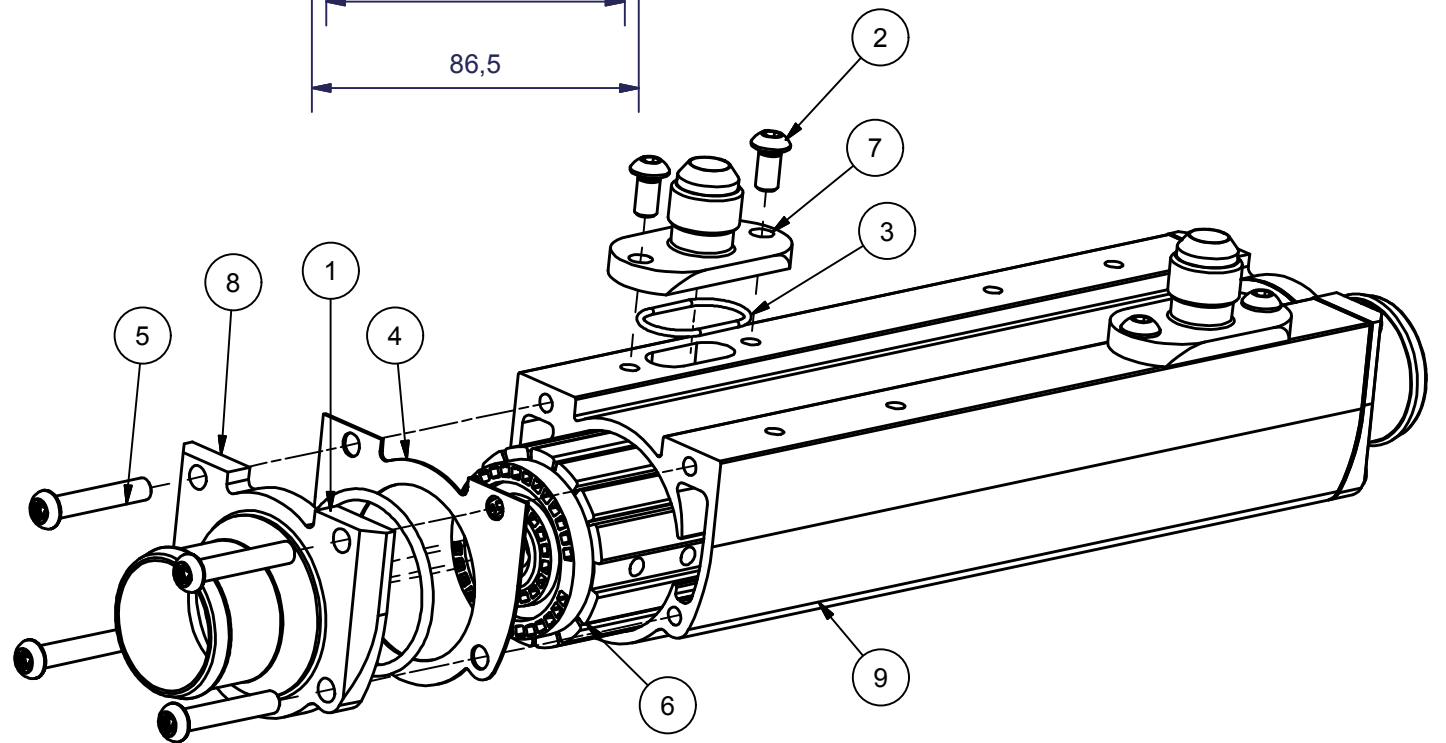
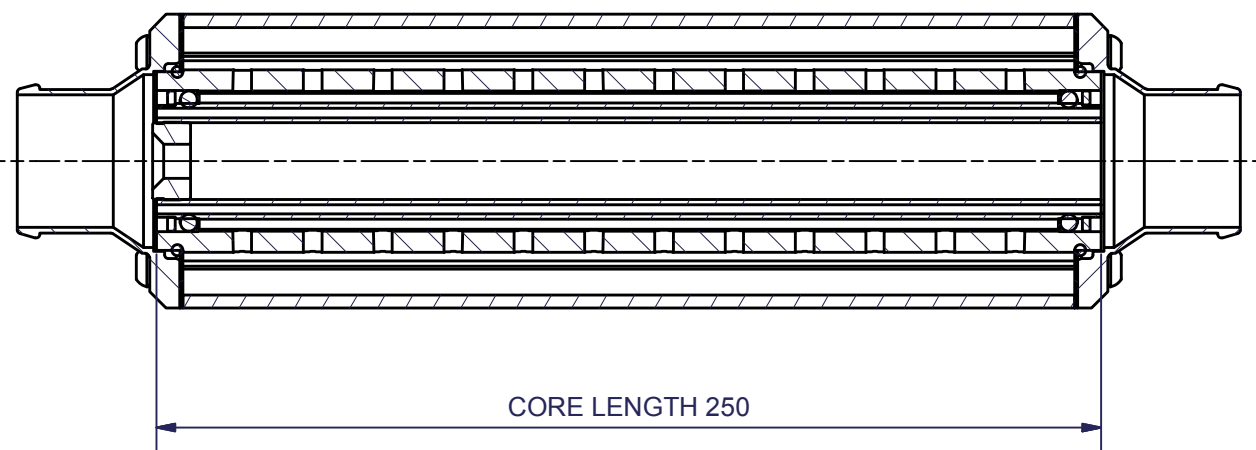
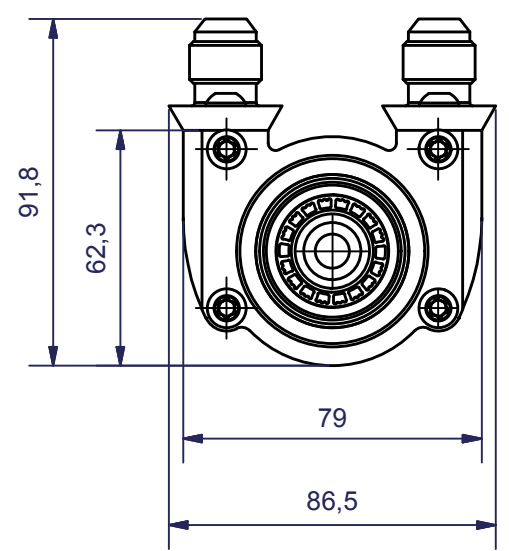
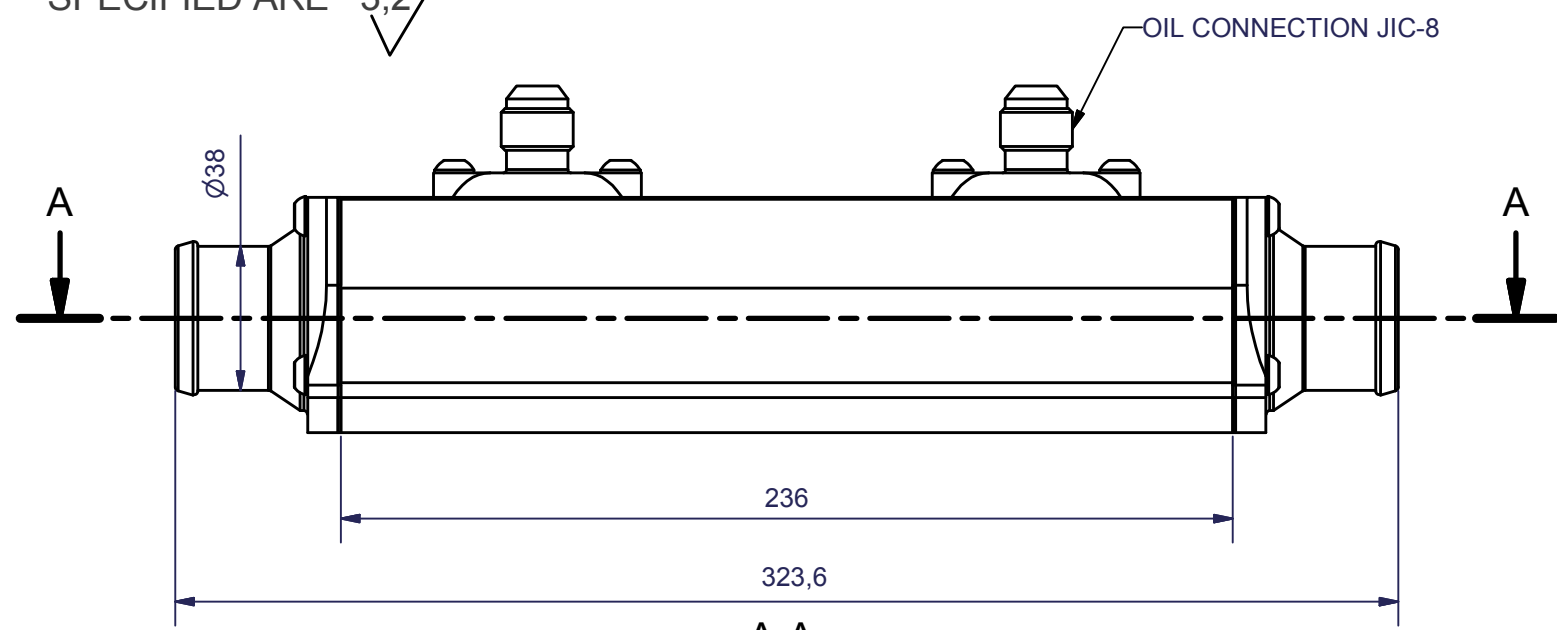


SURFACE UNLESS SPECIFIED ARE 3,2/√

TOLERANCE UNLESS SPECIFIED ARE ISO 2768-mK



| 9 | 1 | HOUSING | HS00188A | EC54-236 |
|------|------|------------------|-------------|-------------------------------------|
| 8 | 2 | WATER CONNECTION | WC00179A | EC54 ø38 |
| 7 | 2 | OIL CONNECTION | OC00078A | EC54 JIC 8 |
| 6 | 1 | CORE ASSEMBLY | CA00084A | D54-250, STANDARD INNER, PLUGG 9 mm |
| 5 | 8 | SCREW | TB00266A | ISO 7380 KTS 8.8 FZB M6x25 |
| 4 | 2 | GASKET | SL00081C | EC54 |
| 3 | 2 | O-RING | SL00083A | ø26,7x1,78 FPM |
| 2 | 4 | SCREW | TB00267A | ISO 7380 KTS 8.8 FZB M6x12 |
| 1 | 2 | O-RING | SL00084A | 44,2x3 HNBR |
| ITEM | REQD | TITLE | PART NUMBER | DESCRIPTION |

| | | | | | | | |
|---|--------------|----------------|---------------|----------------|----------------------------|---|-------------------------------|
| <small>This is the property of Laminova Production AB, Sweden and must not be copied, without our permission, and the contents thereof must not be imparted to a third party or be used for any unauthorized purpose. Contravention will be prosecuted.</small> | CONSTR TA | DRAWN BY RH | CHECKED UL | APPROVED RH | TITLE OIL COOLER | SCALE 1:2 | DATE 2010-06-09 |
| | | | | | | DESCRIPTION ECD 54-250, OC JIC-8, WC Ø38 | REVISION A |
| | | | | | | MATERIAL | DRAWING NO SA00468A |