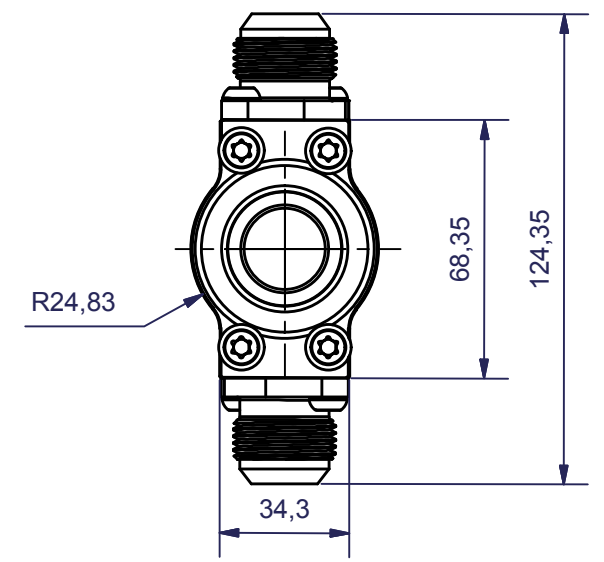
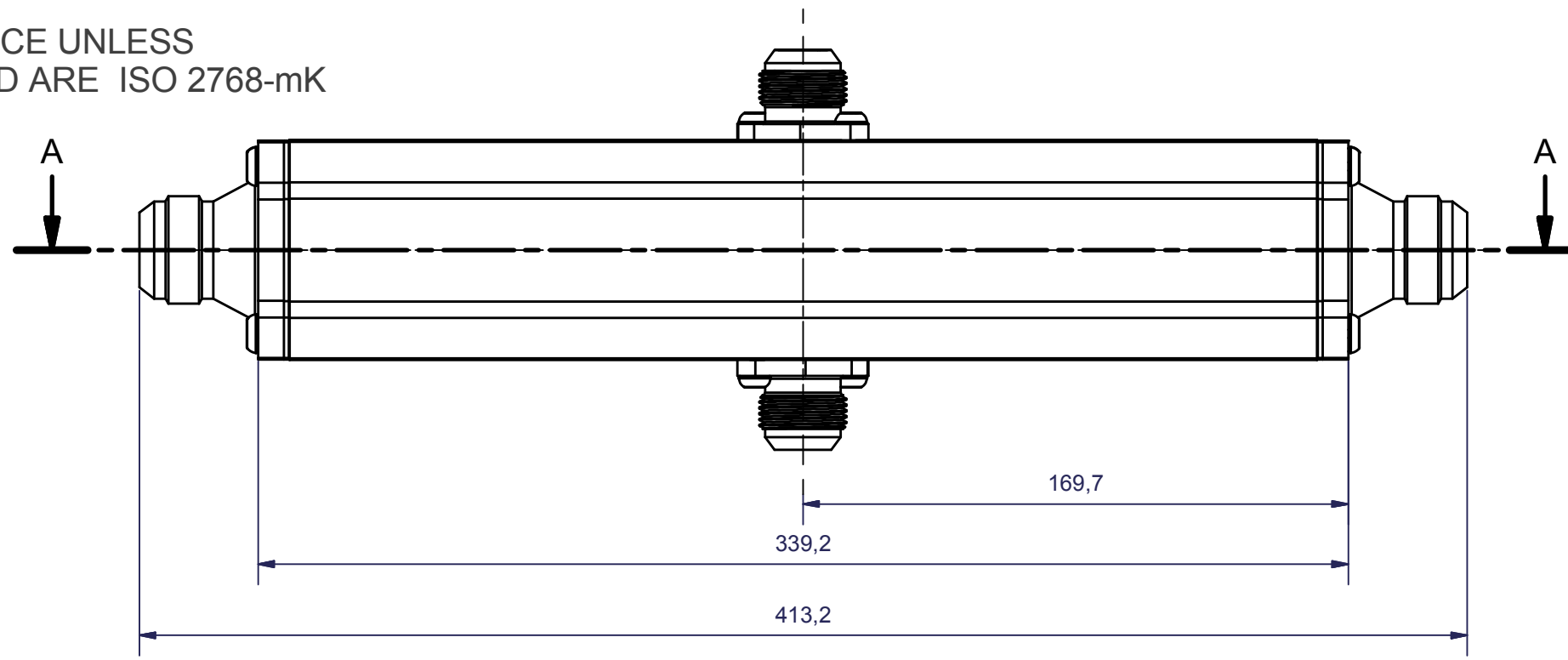
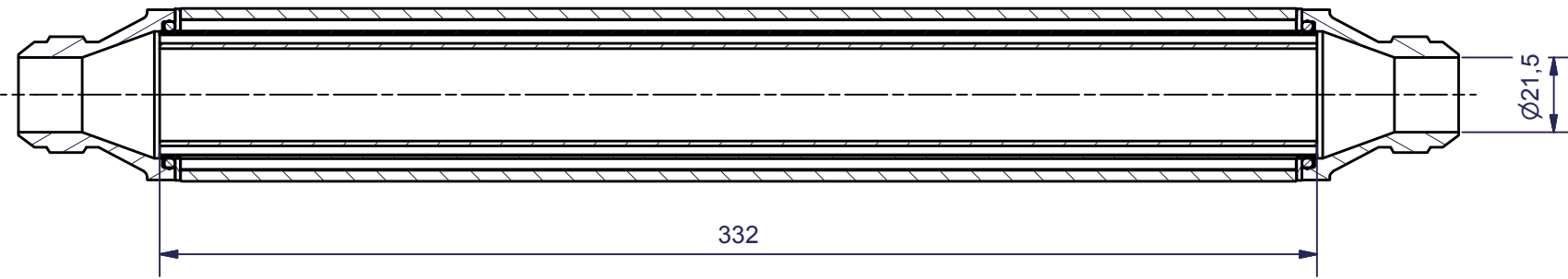


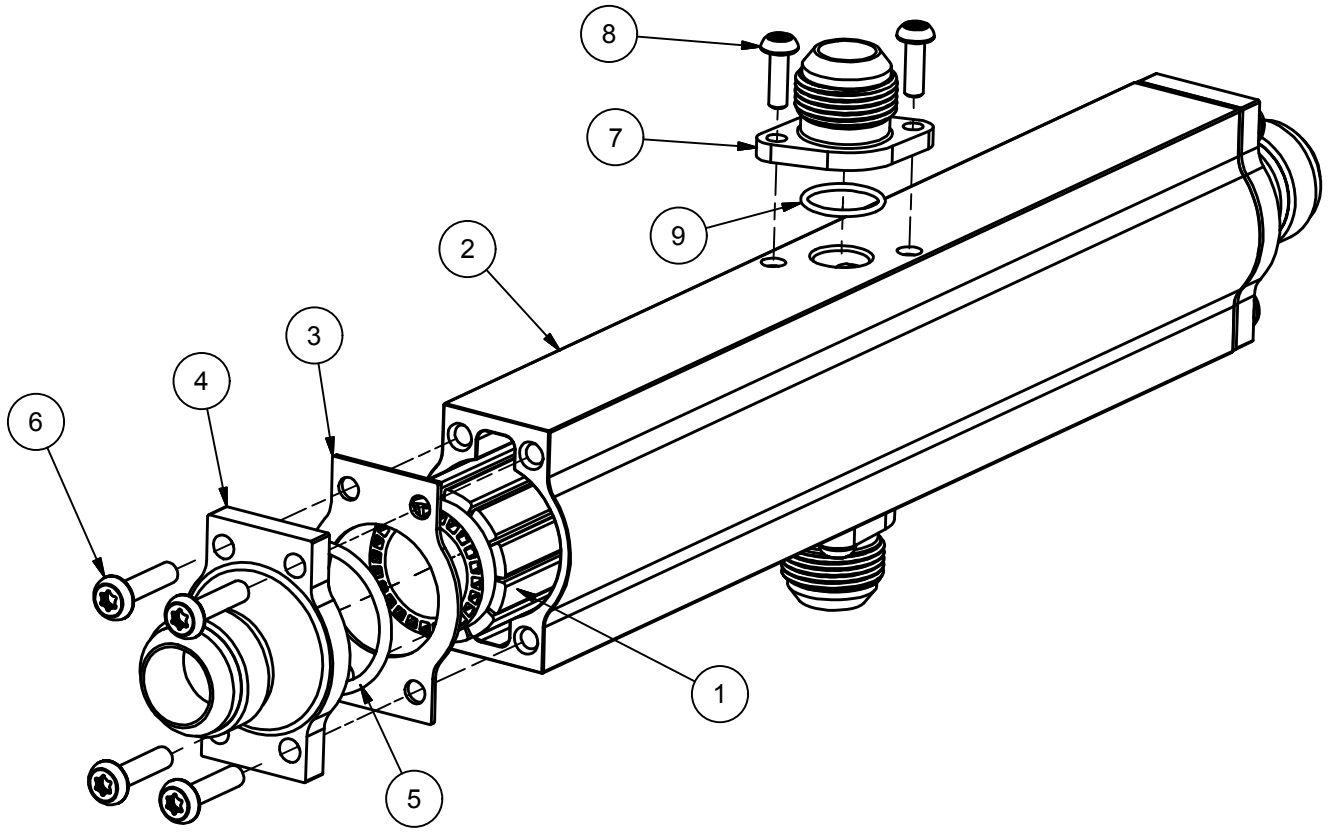
TOLERANCE UNLESS SPECIFIED ARE ISO 2768-mK



A-A (1/2)



SURFACE UNLESS SPECIFIED ARE 3,2 ✓



9	2	O-RING	SL00039A	18,77x1,78 FPM
8	4	Screw Torx	TB00048A	MRT-TT M5x16
7	2	OIL CONNECTION	OC00009A	JIC 12
6	8	Screw Torx	TB00043A	MRT-TT M6x25
5	2	O-RING	SL00038A	36,17x3,2 HNBR
4	2	Water connection	WC00047B	C43/45 JIC 16
3	2	GASKET	SL00002B	C43/45
2	1	HOUSING	HS00005A	C43 L=320,2
1	1	CORE	CR00011	Ø43-332

ITEM	REQ	TITLE	PART NUMBER	DESCRIPTION
CONSTR	DRAWN BY	CHECKED	APPROVED	TITLE
	PL			OIL COOLER C43-332
				SCALE 1:2
				DATE 2011-04-28
				REVISION A
				MATERIAL
				DRAWING NO SA00477A
				DESCRIPTION OC-JIC 12, WC-JIC 16

This is the property of Laminova Production AB, Sweden and must not be copied, without our permission, and the contents thereof must not be imparted to a third party or be used for any unauthorized purpose. Contravention will be prosecuted.

